

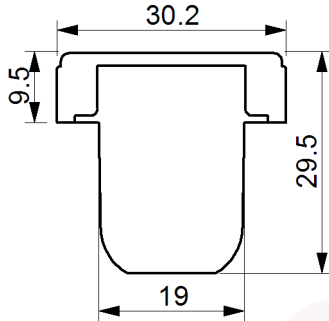
SCTPJBE3019/0930

T beige diam.19,0 Plastic Top 9x30 BLACK noglue

Date 01-04-16 Print 01-06-18

Format A4 - Drawing 2060

SPECIFICATIONS



Scale 1:1

Dimensional Tolerancies $\pm 0,3$ mm

Top Part	Knurled Plastic Top Black color
Body Part	Foamed Blend of thermoplastic material
Color	Beige
Weight gr.	7,10 + / - 0,5
Assembled	Co-injected System unbreakable 100%
Box pcs.	1000 x 2
Cust. Ref.	

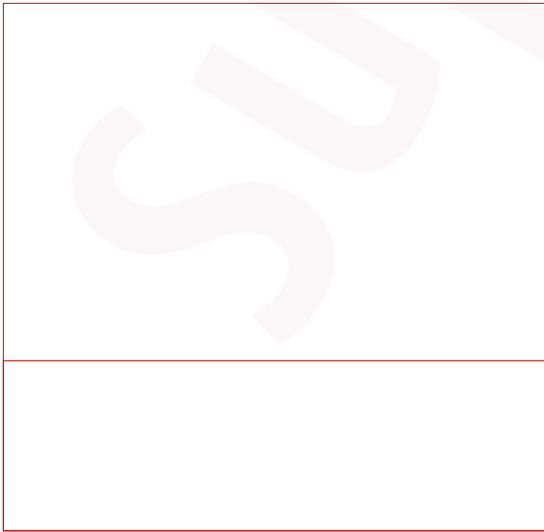
Extraction Force needed from 60 to 200 Newton -ISO11311

ALQ (acceptable level of quality): 0,01%

SUPERCAP DECLARES that all items are comply with current CE and FDA legislations governing products intended for food contact. For more details please see our Declaration of Conformity.
Supercap Srl can't guarantee performances of its products for any other use not previously agreed with its technical office.

Beverage declared alc/vol. (To be filled in by Customer)

Customization



We herewith declare that some working processes (the ones regarding components not in direct contact with the liquid) may be done by subcontractors. Supercap has the responsibility on the final product released.

Computer graphic, image: colors may appear different from real product colors

Supercap

Closure design since 1999



Supercap S.r.l. - Via Cairo, 83
61024 Mombarcoccio - Pesaro - Italia
Tel. +39 0721 470507 - Fax +39 0721 471243
info@supercap.it - supercap.it

This specification is property of Supercap S.r.l.. It must not be copied or disclosed in any form unless under written permission received by Supercap S.r.l.
Supercap S.r.l. reserves the right to modify the content of this document without giving any notice.